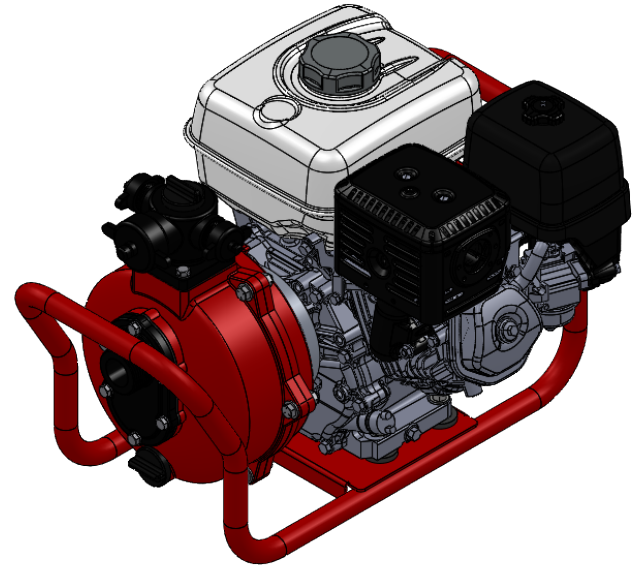
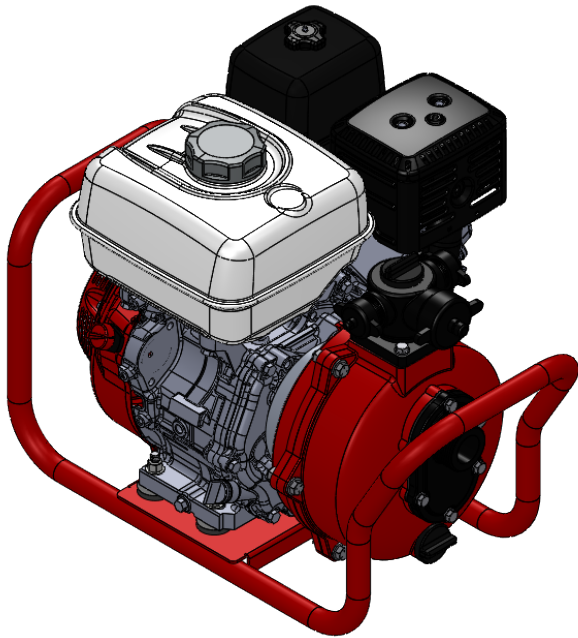
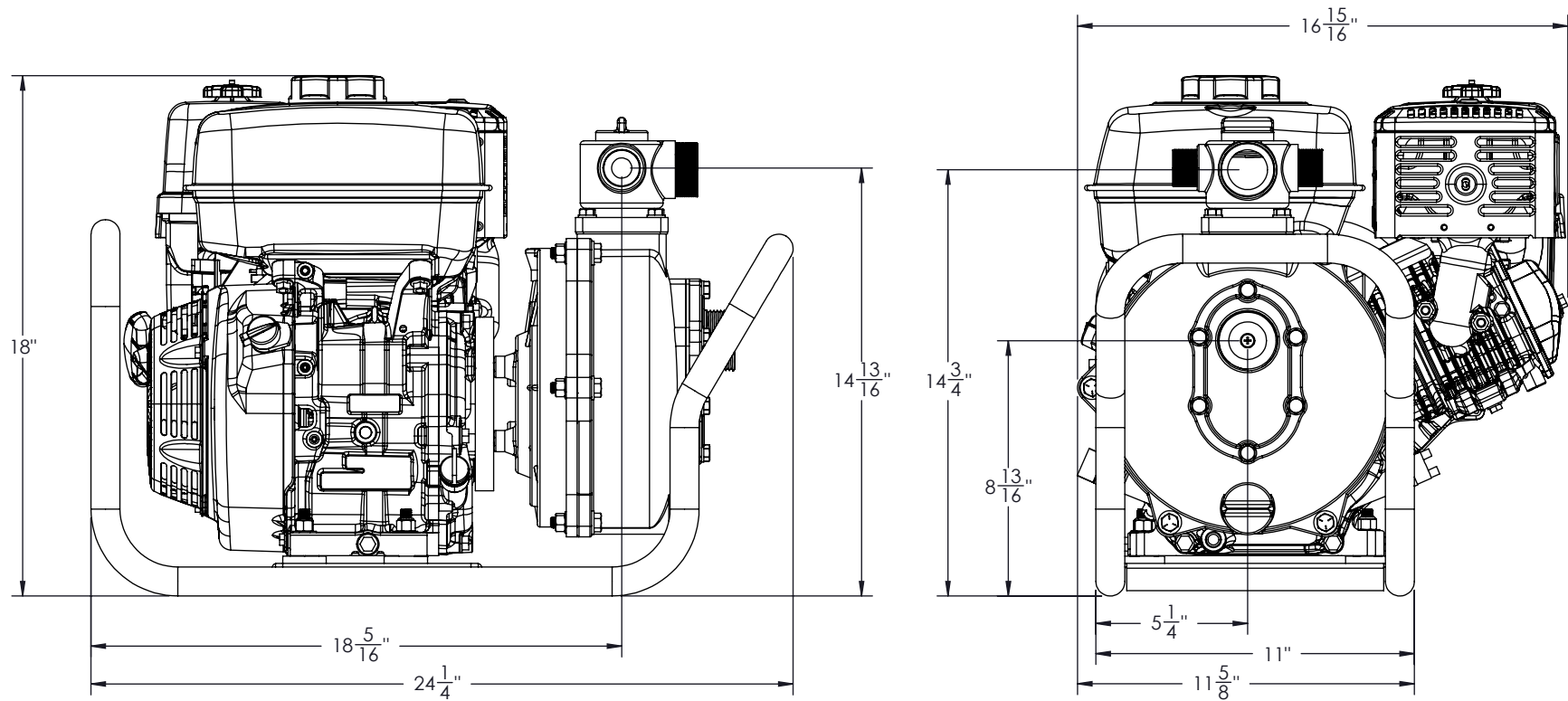


**PORTABLE FIRE PUMP**  
**PFP-9hpHND-M-TWIN**  
**GX270 HONDA WITH HIGH-PRESSURE PUMP**



**WE CAN CUSTOMIZE AS YOU WANT**

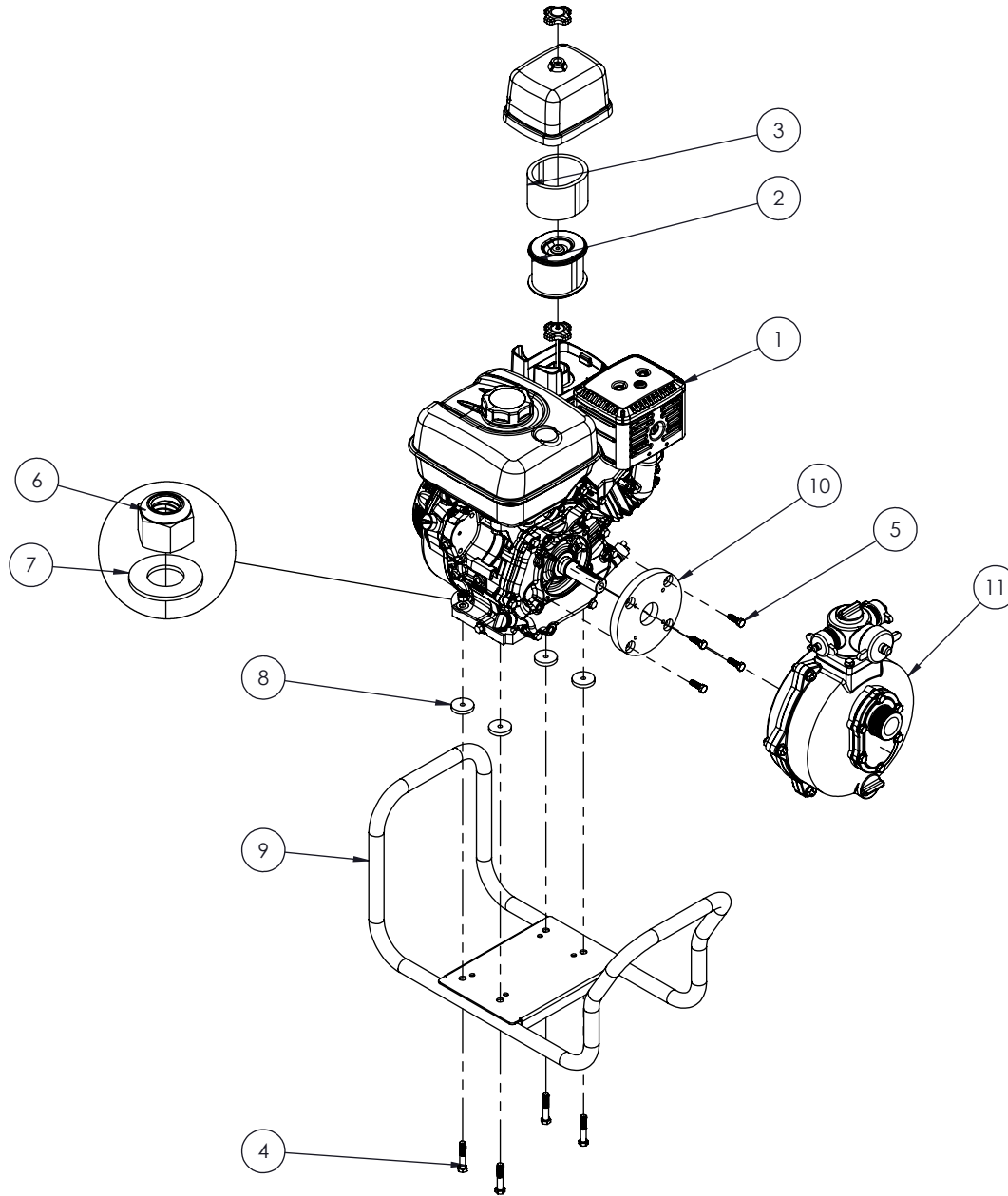


**WET WEIGHT: 105Lbs**

	<b>CREATED</b> BY: M.V. DATE: 27-10-15	<b>TITLE :</b> PFP-9hpHND-M-TWIN HALF FRAME	<b>WARNING</b> THIS DOCUMENT REMAINS THE PROPERTY OF C.E.T. FIRE PUMPS MFG. ALL REPRODUCTION WITHOUT WRITTEN AGREEMENT FROM C.E.T. FIRE PUMPS MFG IS TOTALLY PROHIBITED.
	<b>VERIFIED</b> BY: M.P. DATE: 10-05-16	<b>No:</b> PO-10TW-0703-A	

A	Version A	01-01-16	M.P.
REV.	DESCRIPTION	DATE	BY

NO	PART NUMBER	DESCRIPTION	QTY
1	001-PP1-005	HONDA ENGINE (GX270), MANUAL 9hp GAS	1
2	003-PP1-104	AIR FILTER	1
3	003-PP1-151	AIR FILTER FOAM	1
4	022-PP1-009	HEX. BOLT 3/8"-16 x 2" (Gr.5 ZINC)	4
5	022-PP1-451	HEX. BOLT 5/16"-24 x 1" (SS)	4
6	023-PP1-001	HEX. NYLON LOCKNUT 3/8"-16	4
7	024-PP1-009	FLAT WASHER 3/8" int. x 7/8" ext.	4
8	025-PP1-015	RUBBER WASHER 0.312" INT x 1.5" EXT. x 1/4" TK	4
9	PO-0000-1724	HALF FRAME	1
10	PO-0000-3603	ADAPTER	1
11	PO-00TW-2102	GOLIATH PUMP	1



**CREATED**  
BY: M.V.  
DATE: 27-10-15

**VERIFIED**  
BY: M.P.  
DATE: 10-05-16

**TITLE :** PFP-9hpHND-M-TWIN  
HALF FRAME

**No:** PO-10TW-0703-A

**WARNING**

THIS DOCUMENT REMAINS THE PROPERTY OF C.E.T. FIRE PUMPS MFG.

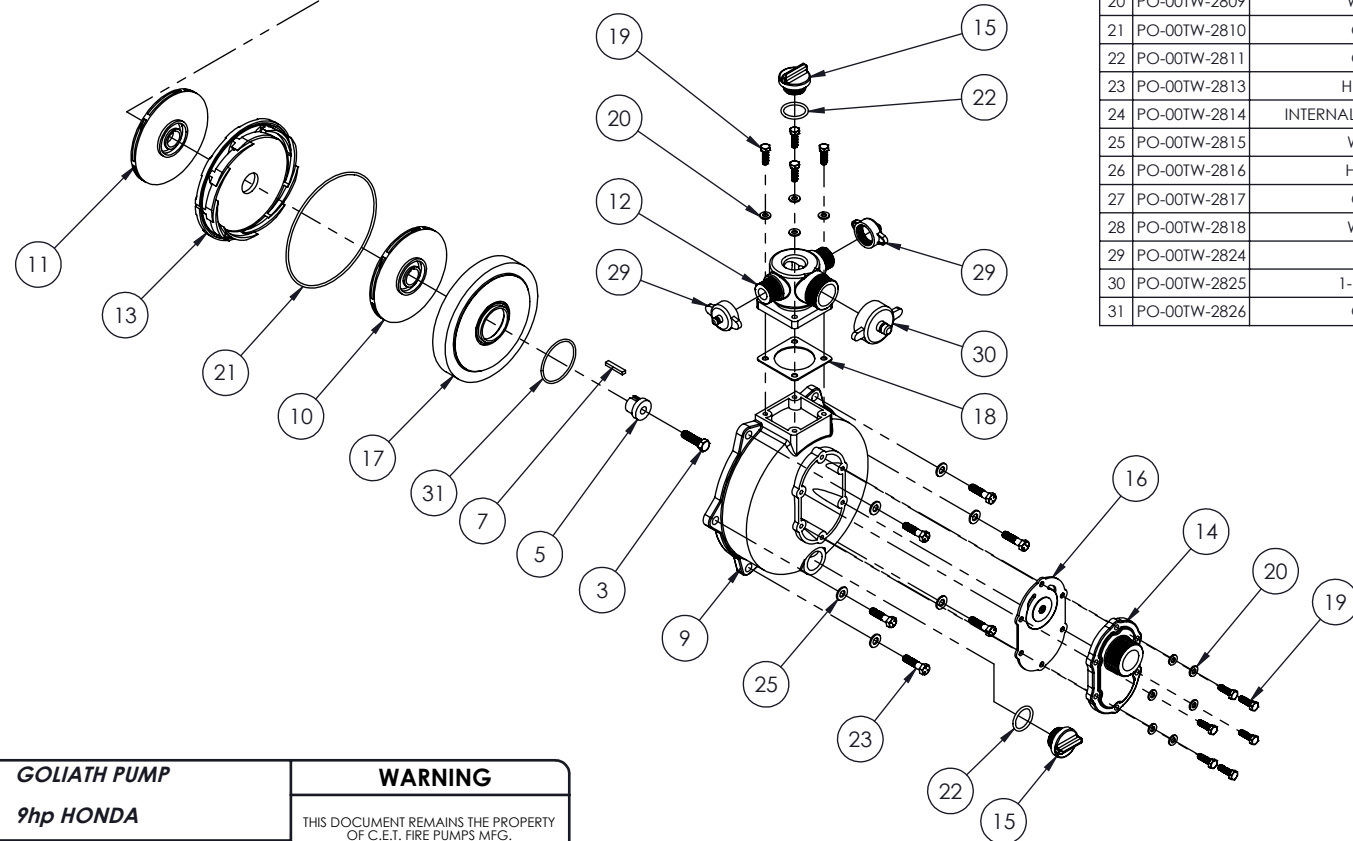
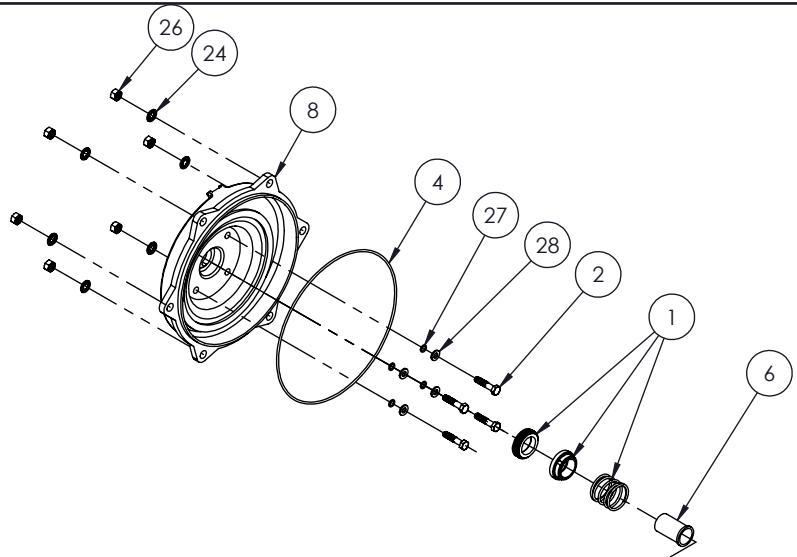
ALL REPRODUCTION WITHOUT WRITTEN AGREEMENT FROM C.E.T. FIRE PUMPS MFG IS TOTALLY PROHIBITED.

A  
REV.

Version A  
DESCRIPTION

01-01-16  
DATE

M.P.  
BY



NO	PART NUMBER	DESCRIPTION	QTY
1	020-PP1-010	MECHANICAL SEAL 1" (SS)	1
2	022-PP1-402	HEX. BOLT 5/16"-18 x 1-1/2" (SS)	4
3	022-PP1-409	HEX. BOLT 7/16"-20 x 1-1/2" (SS)	1
4	052-PP1-001	O-RING	1
5	060-PP1-057	SHAFT EXTENSION	1
6	060-PP1-074	BUSHING	1
7	PO-0000-2802	SHAFT KEY 1/4" x 3/16" x 1-3/8"	1
8	PO-00TW-2202	CASING	1
9	PO-00TW-2301	COVER	1
10	PO-00TW-2403	FRONT IMPELLER	1
11	PO-00TW-2404	REAR IMPELLER	1
12	PO-00TW-2702	MANIFOLD	1
13	PO-00TW-2703	STATOR	1
14	PO-00TW-2801	INTAKE	1
15	PO-00TW-2802	PLUG	2
16	PO-00TW-2803	INTAKE GASKET	1
17	PO-00TW-2804	HIGH PRESSURE IMPELLER COVER	1
18	PO-00TW-2807	MANIFOLD GASKET	1
19	PO-00TW-2808	HEX. BOLT	10
20	PO-00TW-2809	WASHER	10
21	PO-00TW-2810	O'RING	1
22	PO-00TW-2811	O'RING	2
23	PO-00TW-2813	HEX. BOLT	6
24	PO-00TW-2814	INTERNAL LOCK WASHER	6
25	PO-00TW-2815	WASHER	6
26	PO-00TW-2816	HEX. NUT	6
27	PO-00TW-2817	O'RING	4
28	PO-00TW-2818	WASHER	4
29	PO-00TW-2824	1" CAP	2
30	PO-00TW-2825	1-1/2" CAP	1
31	PO-00TW-2826	O'RING	1



<b>CREATED</b>	<b>TITLE :</b>	<b>GOLIATH PUMP</b>
BY: M.V.		<b>9hp HONDA</b>
DATE: 23-10-15		
<b>VERIFIED</b>	<b>No:</b>	<b>PO-00TW-2102</b>
BY: M.P.		
DATE: 06-11-15		

**WARNING**

THIS DOCUMENT REMAINS THE PROPERTY OF C.E.T. FIRE PUMPS MFG.

ALL REPRODUCTION WITHOUT WRITTEN AGREEMENT FROM C.E.T. FIRE PUMPS MFG IS TOTALLY PROHIBITED.

A	Version A	01-01-16	M.P.
REV.	DESCRIPTION	DATE	BY